

Basic tools



Tape measure



Screwdrivers



Adjustable wrenches



Hacksaw & handsaw.



Teflon tape



Glove

Advance tools



Basin spanners.



caulking gun



Vise grip pliers.



Claw ball-pen hammers.



Hammer.



Sink tap spanner.

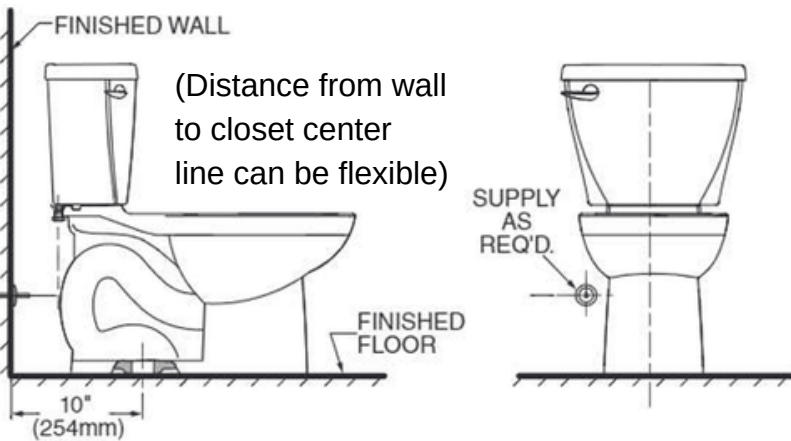


Product is fragile. To avoid breakage and possible injury handle with care. Picture may not exactly define.

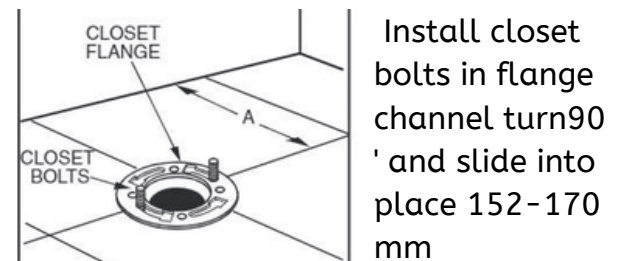
STEP:1 REMOVE OLD TOILET

- A. Close toilet supply valve and flush tank completely. Towel remaining water from tank and bowl
- B. Disconnect and remove supply line. (If replacing valve first shut off main water supply.)
- C. Remove old mounting hardware & toilet and plug floor waste opening to prevent escaping sewer gases.
- D. Remove closet bolts from flange and clean away old Wax, putty etc. from base area.

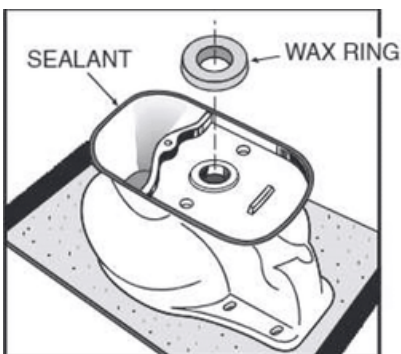
STEP:2 ROUGHING IN DIMENSIONS



STEP:3 INSTALL CLOSET BOLTS

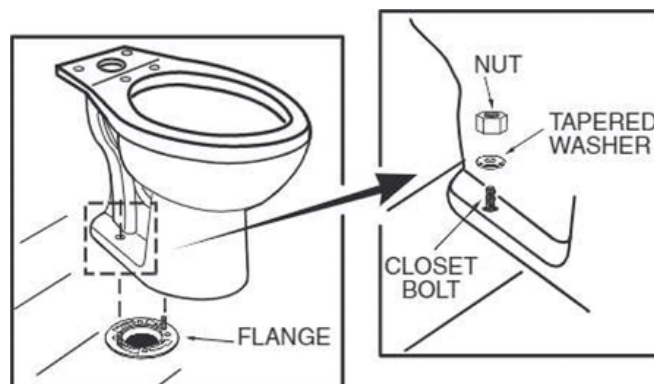


STEP:4 INSTALL WAX SEAL



1. Invert toilet on floor (cushion to prevent damage)
2. install wax ring evenly around waste flange (Horn), with tapered end of ring facing toilet. Apply a thin bead of sealant around toilet base.

STEP:5 POSITION TOILET ON FLANGE



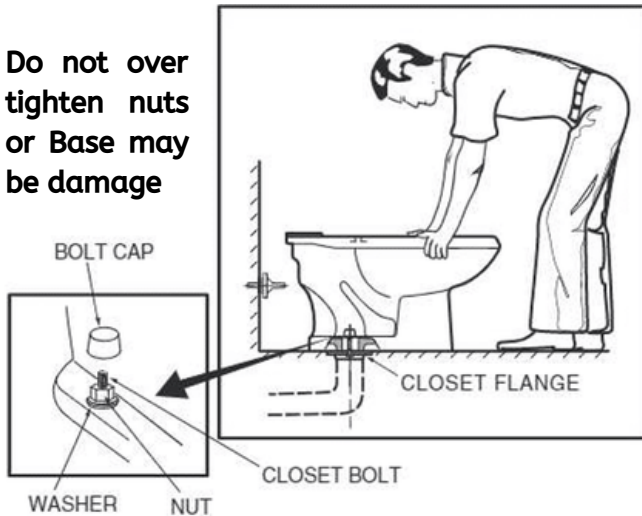
1. Unplug floor waste opening and install toilet on closet flange so bolts project through mounting holes.
2. Loosely install retainer washers and nuts. Side of washers marked "This side up" must face up!



Product is fragile. To avoid breakage and possible injury handle with care. Picture may not exactly define.

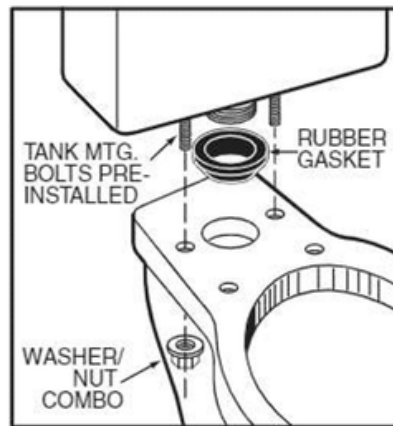
STEP:6 INSTALL TOILET

Do not over tighten nuts or Base may be damage



1. Position toilet squarely to wall, press bowl down fully on wax ring and flange.
2. Tighten nuts toilet.
3. Install caps on washers.
4. Smooth off the sealant around Base.

STEP:7 INSTALL TANK

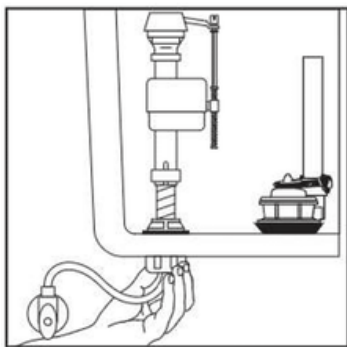


1. Insert rubber grommets through holes
2. insert bolts through holes

3. Install large rubber gasket on bottom of tank and lower tank
4. tighten nuts until tank is snugged down evenly against bowl surface.

STEP:8 INSTALL TOILET SEAT

STEP:9



tighten coupling nut 1/4 turn beyond hand tight

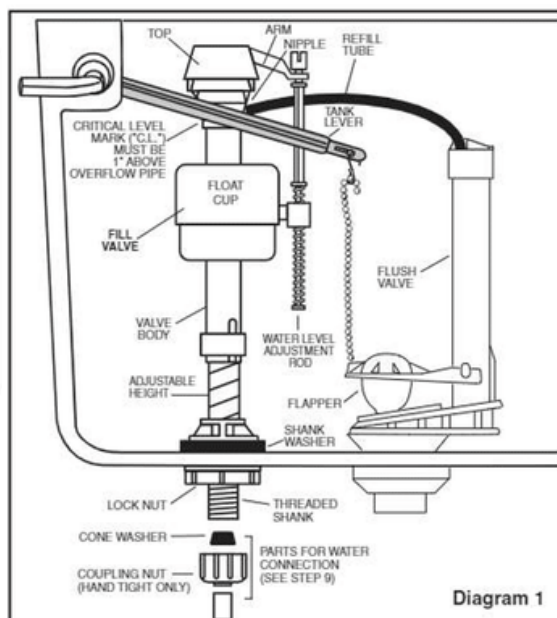


Diagram 1

SUPPORT

JAAZ CORPORATION PVT. LTD.
406 Onyx, Akshar Cross Road,
O. P. Road, Vadodara - 390 020.
Gujarat. INDIA

+91 9408630765
+91 2652280178

Write to us at:
support@jaaz.in
www.jaaz.in