

We wish to thank you for purchasing and investing your trust in JAAZ Sandwich Rain Shower. We will do everything in our power to uphold this trust. Please read installation and care instruction carefully, because damage to surface & underlying material results from improper treatment is not covered by warranty .

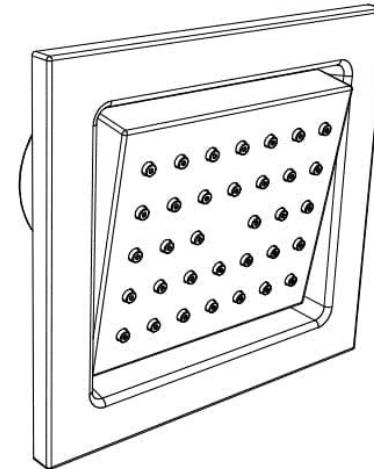
Care instruction

Do not use any abrasive sponges or scouring agents for cleaning. We also advise you not to use cleaning agents containing solvent or acid, lime scale removers, household vinegar and cleaning agents containing agents with acetic acid in them. They are aggressive to the surface and will leave your Rain Shower dull & scratched. As the formulate of commercially available cleaning agents frequently change, we cannot guarantee they will provide the gentle care to our Rain Shower deserve. Clean the Rain Shower with a little soap and a moist cloth only. Then simply rinse off and wipe dry. You can avoid lime spots by drying the shower each time it is used . Water Supply: Minimum Pressure 3 bar, Maximum Pressure 4bar.

Water Hardness: If water hardness exceeds 180mg/L, we strongly recommend the use of water softening system. Warranty does not cover any damage caused due to water hardness.

Warranty - 3 years

Proven manufacturing & Material defects would be replaced free of cost during 3 year warranty period, provided above care instruction are followed properly .



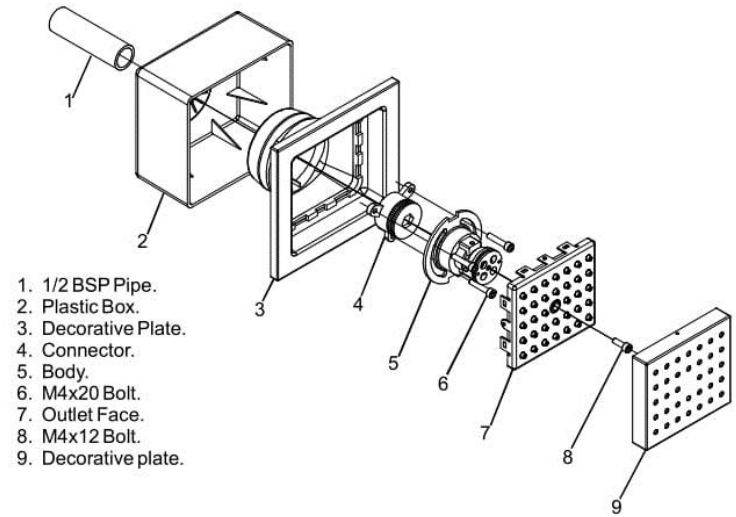
Product Code: BJC-S

_____ Place & Date _____ Dealer Stamp & Sign

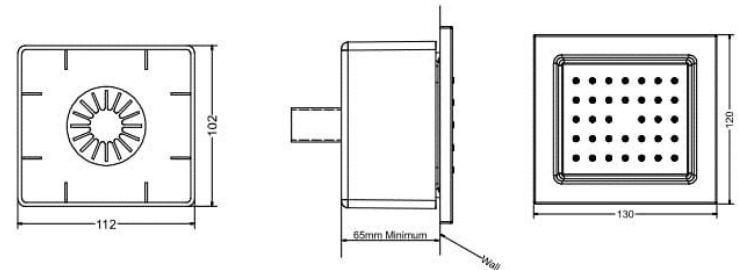
Installation Instruction

- Before installing the product, please read the instruction carefully.
- Please use Filter being provided with the product.
- Please do not use Hard Water as it will damage product.
- Advisable Water Pressure is 1.5 Bar to 3.0 Bar.
- The Main Body is in its best situation before leaving the Factory. Please handle it carefully.

Exploded drawing :



Dimension drawing below:



REGISTERED OFFICE

406 Onyx, Akshar Cross Road,
O. P. Road, Vadodara 390020.
Gujarat. INDIA.

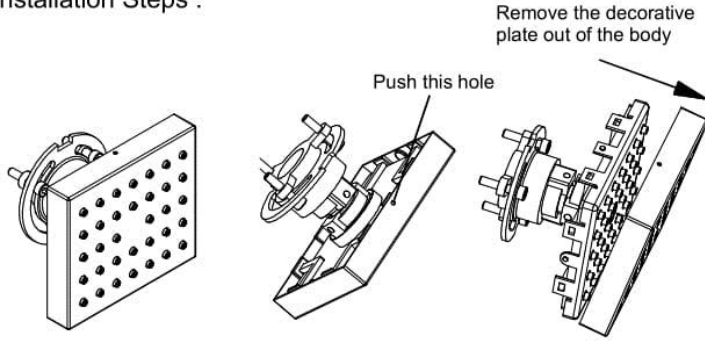
FOR FURTHER SUPPORT

CALL US ON
+91 9408630765
+91 7930256667
+91 2652280178

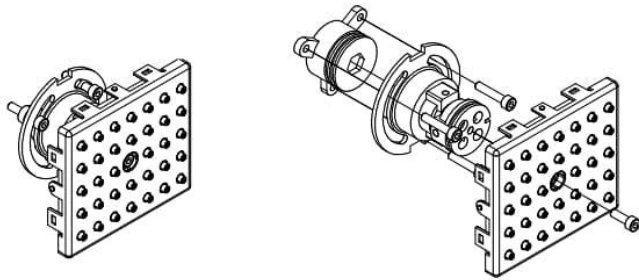
WRITE TO US AT
support@jaaz.in

www.jaaz.in

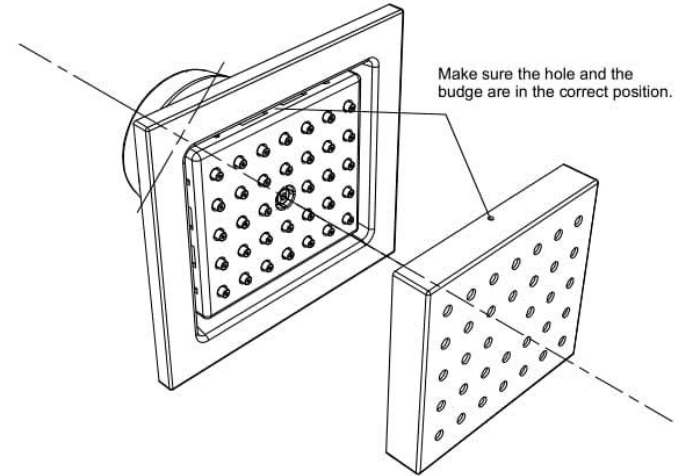
Installation Steps :



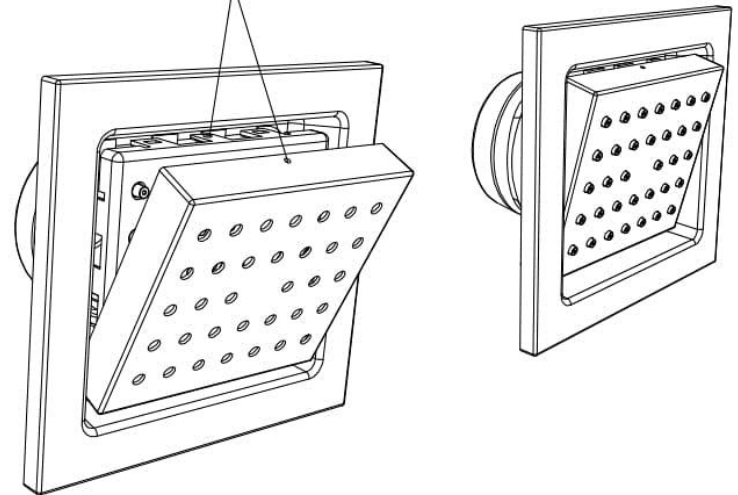
Remove the decorative plate

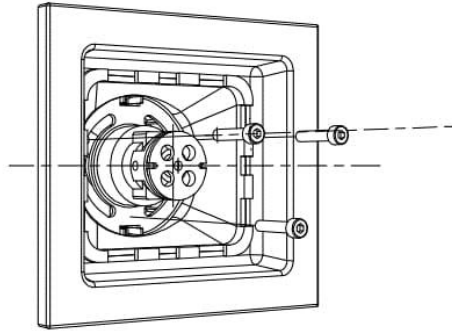


Remove the M4x12 screw and the outlet face
Remove the M4x20 screw and connector body

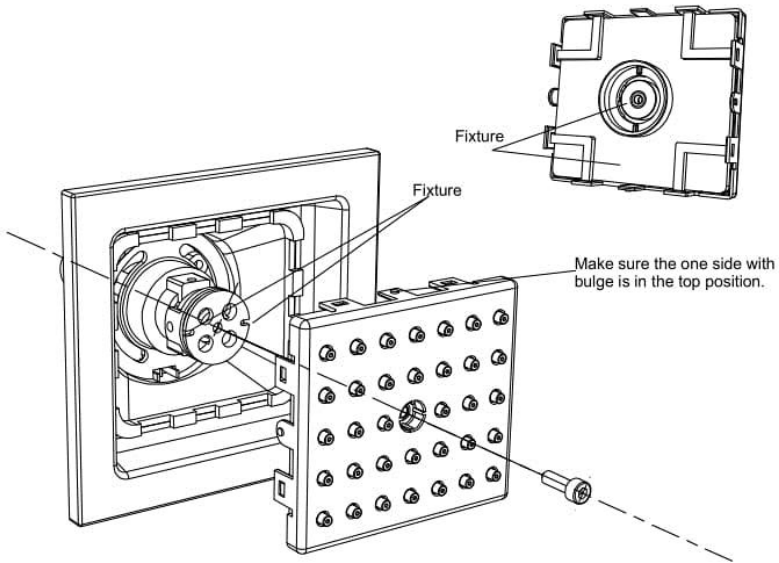


Install the Front Decorative plate as shown in image.
Make sure hole and bulge are in correct position.

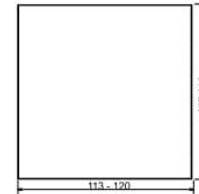




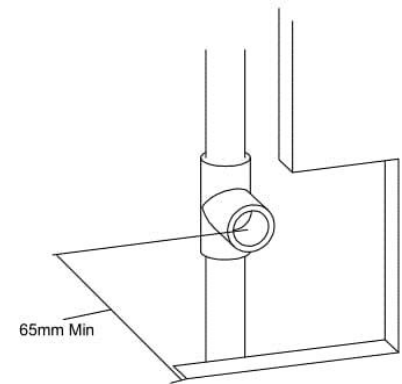
- Screw the M4x20 bolt into the body.
- Make sure the body and the connector are tighten.
- Make sure the decorative plate is not move.



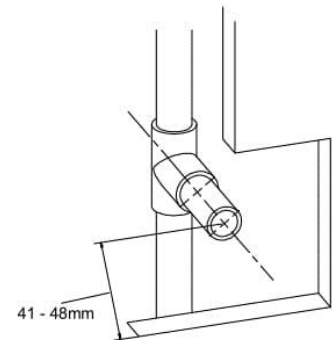
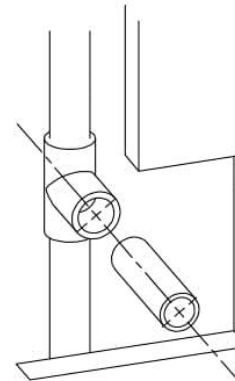
- Install the outlet face assembly to the body.
- Make sure the connection of body and outlet face assembly are complete.
- Screw the M4x12 bolt through the outlet face into the body. Don't use excess force or else the outlet face will be damage.



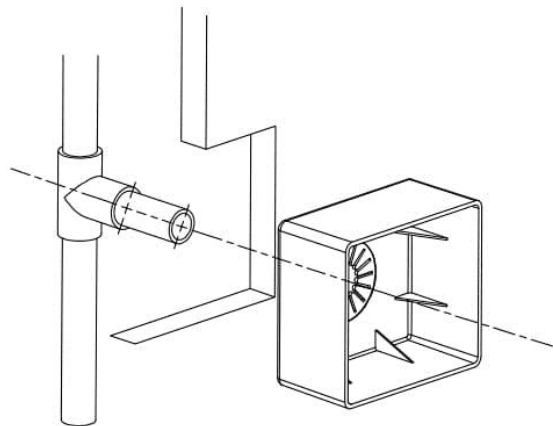
Size



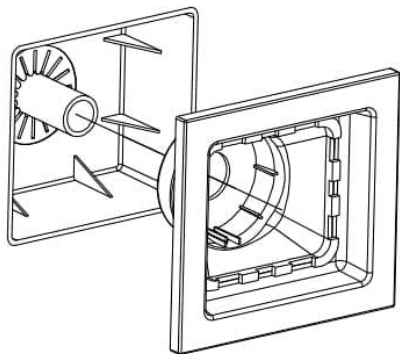
Note : The distance between the water supply system and the finished wall shall be at least 65mm.



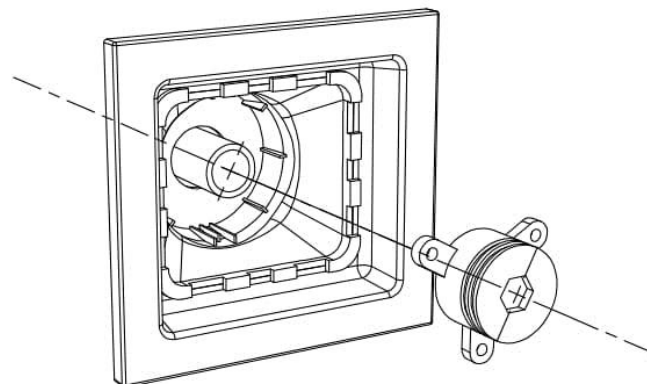
- Screw the pipe to the water supply fittings.
- The distance between end point of the pipe and finished wall shall be 41mm to 48mm. Cut off the longest part.
- Then take off the pipe, screw the sealent tape to the pipe, screw to water supply fittings again.
- Turn on the water supply system to flush the pipe.
- Close the water supply system.



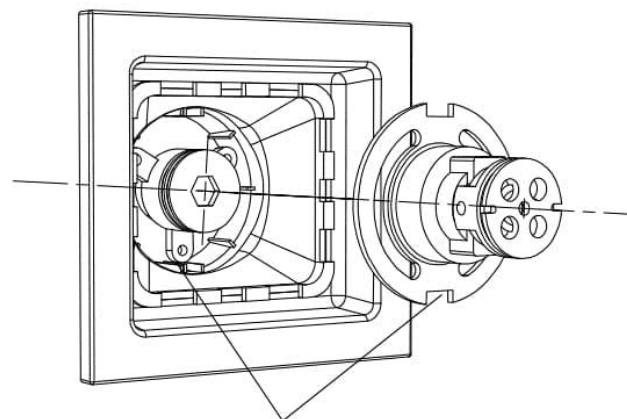
- Push the plastic box into the wall



- install the decorative plate assembly into the plastic box.
- Make sure the position is correct



- Screw the connector into the pipe with H10 Wrench.
- Be careful of the decorative plate assembly are not tighten



Make sure the body connect to the connector is completely

- Install the body assembly to the connector.
- When finish installation, please check their connection is complete and proper.