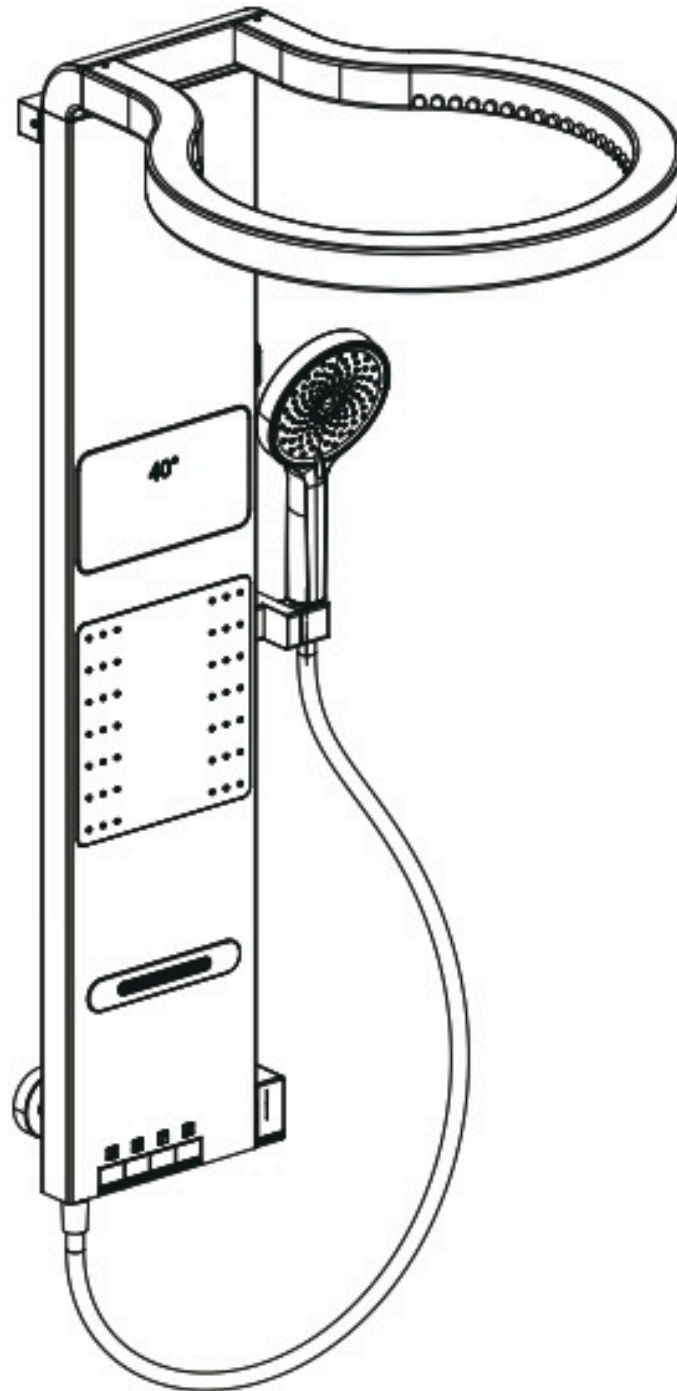
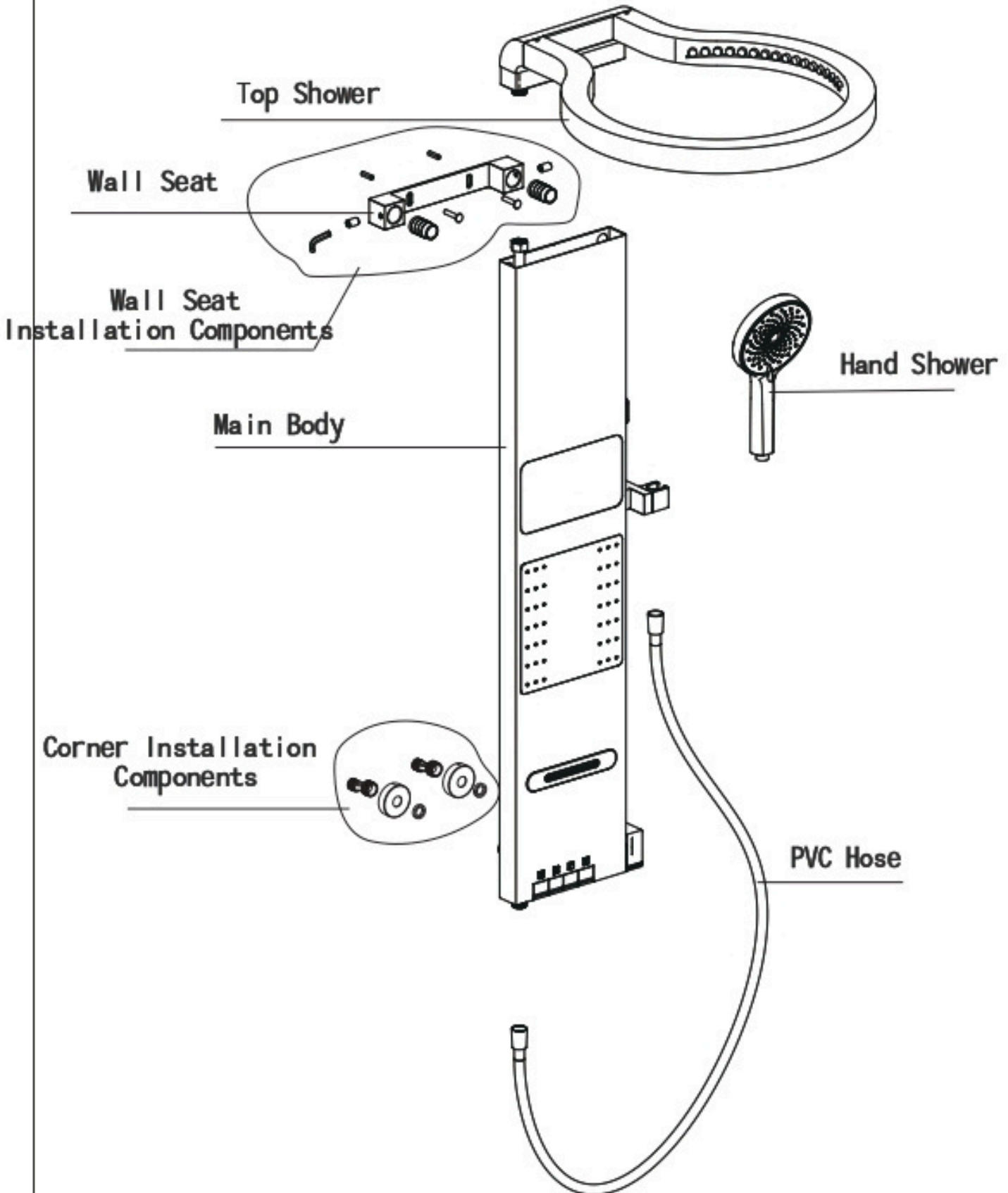


Installation Manual

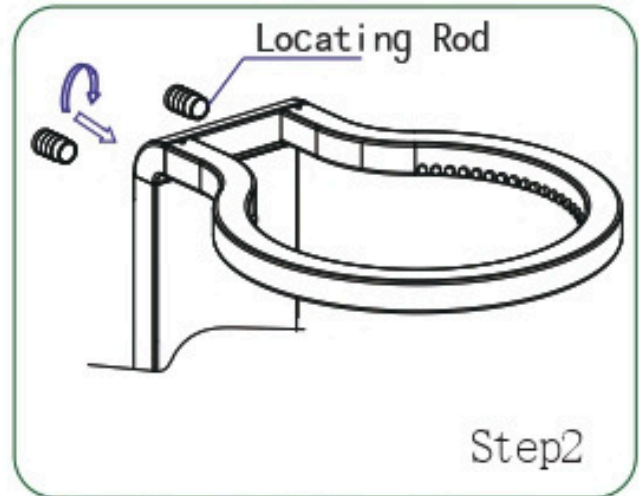
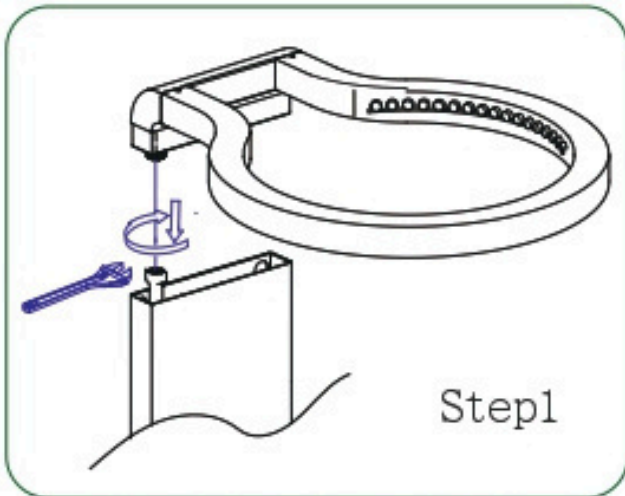


- Thanks for using the shower system.
- Please read the manual carefully before installation.
- Please keep this manual safe for subsequent reference.

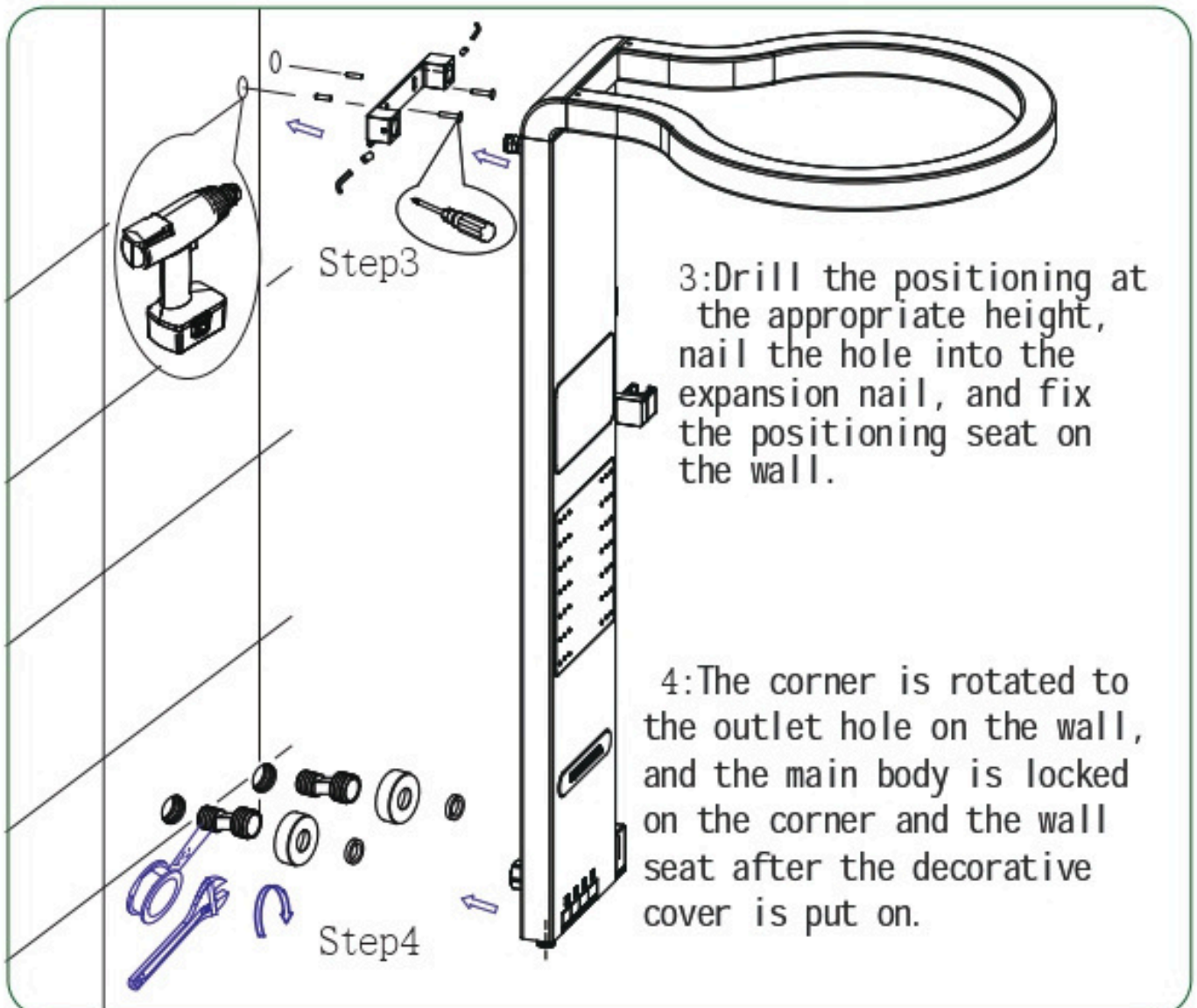
Accessory List



Installation Step



- 1: Fasten the top shower and the main body with a nut
- 2: The two locating rods are screwed into the main body and connected to the top shower.



Installation Step

Step5

5-1: Put the battery in the box, tighten the lid and pay attention to the positive and negative electrodes when the battery is loaded into the box. Connect the power cord, put it in the shell, and seal the cover.

5-2: One end of the PVC hose is connected to the hand shower, the other end is screwed on the main body thread.

